

## MikroFix® Blow Pipe Fast and reliable fastening for Bag Filters

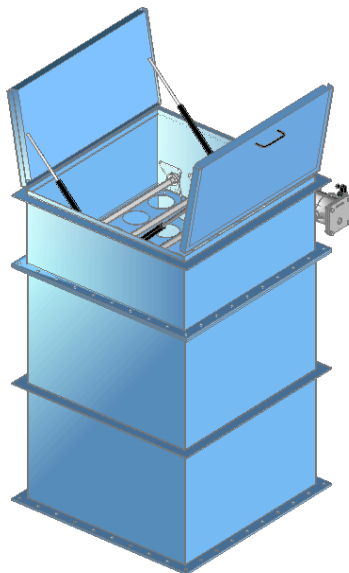
Now, bag filter maintenance is easier and faster by using MikroPul's patented MikroFix® blowpipe fastening system.

MikroPul – one of the leading suppliers of industrial dust collection equipment – established decades ago an efficient cleaning system, which has since been further developed and became standard in many different applications. The MikroPul Pulse-Jet Technology, invented over 50 years ago, releases dust effectively and reliably from the filter bag surface using short, high-pressure back-pulses of compressed air from the clean side of the bag.

### Clamps instead of Screws

The MikroFix® fastening uses „click-on“ clamps which quickly connect the blowpipes reliably to housing flanges. Dismantling does not require any tools as the clamps only need to be pulled off.

Swivel nuts, screws or other connecting parts are eliminated. Access to filter bags and cages is considerably simplified.

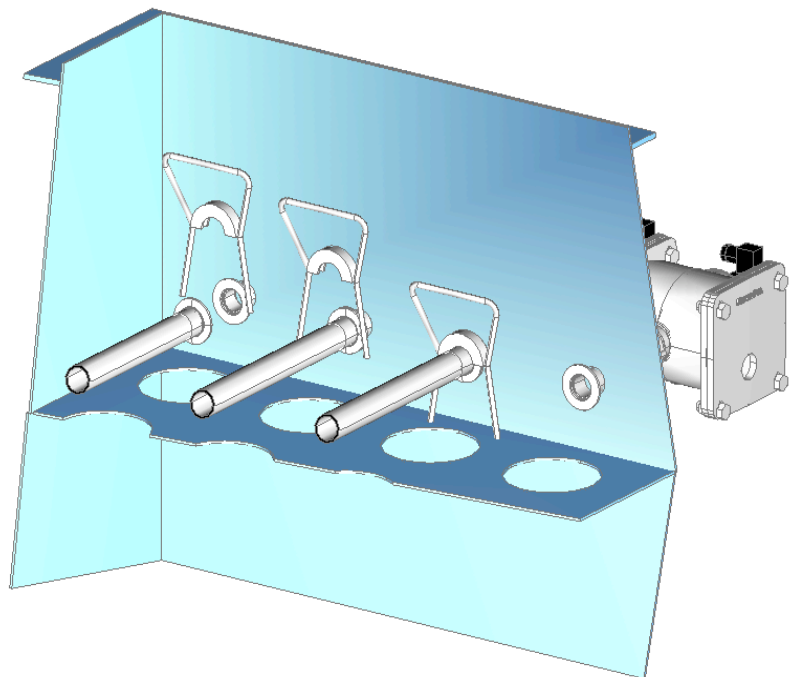


Picture left shows as example a bin mount filter with open roof doors. The blowpipes are mounted inside the housing above the tube sheet.

Picture right shows the assembly steps:

- 1 – Attaching the blow tube
- 2 – Clip-on the MikroFix® clamp

Exchanging the blow tube takes only a few seconds.



### User Benefits

The use of the MikroFix® fastenings is safe and offers following advantages:

- Reduction of time and cost - quick changes and assembly after maintenance.
- No seizing of screw joints.
- Not tools necessary.
- Design eliminates loosening or twisting caused by vibration or similar effects.
- MikroFix®: Clamps instead of Screws → for maximum plant productivity.